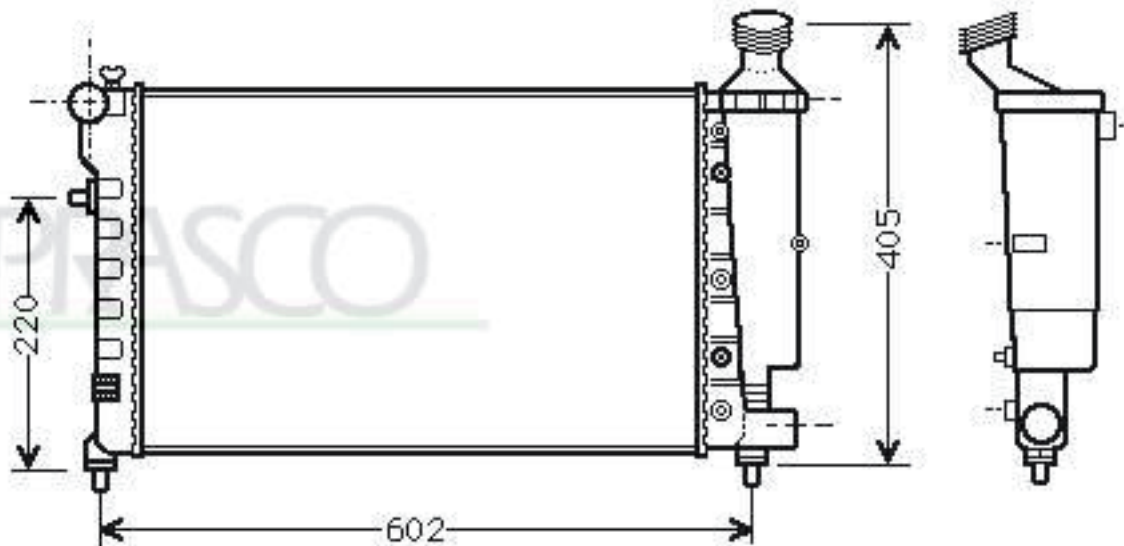


PRASCO

CI023R002A



RADIATORE - RADIATOR

SPECIFICHE TECNICHE	TECHNICAL SPECS
Qualità: Alternativ	Quality: Alternativ
Dimensioni rete: 530x297	Core Dimensions: 530x297
N° produzione: 19 AB/24 CU	Production Number: 19 AB/24 CU
Entrata- \varnothing 42	Inlet \varnothing 42
Uscita- \varnothing 32	Outlet \varnothing 32

MARCA/MAKE	MODELLO/MODEL	MOTORE/ENGINE	KW/ KW	CV/ HP	CILINDRATA /CYLINDER CAPACITY	INIZIO/ START	FINE/ END
CITROËN	CHANSON (S0, S1)	1.1 X,SX	40	54	1124	05.1996	09.2003
CITROËN	CHANSON (S0, S1)	1.1 X,SX	44	60	1124	05.1996	09.2003
CITROËN	CHANSON (S0, S1)	1.4 VTS	55	75	1360	05.1996	06.2003
CITROËN	CHANSON (S0, S1)	1.6	66	90	1587	02.1996	06.2003
CITROËN	CHANSON (S0, S1)	1.6	74	101	1587	02.2001	04.2004
CITROËN	CHANSON (S0, S1)	1.6	88	120	1587	02.1996	04.2004
CITROËN	CHANSON (S0, S1)	1.6	88	120	1587	02.1996	04.2004
CITROËN	CHANSON (S0, S1)	1.6 VTL,VTR	65	88	1587	05.1996	06.2003
CITROËN	CHANSON (S0, S1)	1.6 VTS	72	98	1587	09.2000	09.2003
CITROËN	CHANSON (S0, S1)	1.6 VTS	87	118	1587	06.1996	09.2003
PEUGEOT	106 II (1)	1.6 S16	87	118	1587	05.1996	0.0